

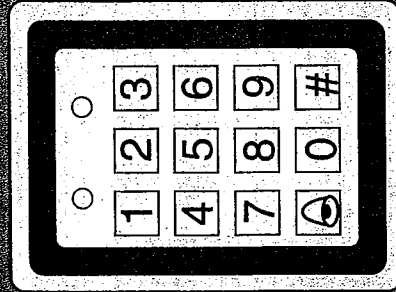
1. Product main technical Specification

Item	Specification
Voltage	12VDC±12%/1.2A
Lock Relay	12VDC/2A
Environmental temperature:	working: 0°C~45°C storage: -10°C~55°C
Relative humidity	working:40%~90%RH storage:20%~90%RH
Card's Capacity	1000
Pin Capacity	Public PIN : 1 Private PIN : 1000
Internal reader frequency	ID Model:125KHz IC Model:13.56MHz
Proximity Card	ID Model:EM1 or compatible IC Model: MIF-1 or compatible
card reader Distance	ID Model:5~15CM IC Model:3~5CM
Lock interface	Relay output or level output
Exit Button	1
doorbell	1
door Contact	1
Alarm interface	1
External Reader	1 Weigand26 interface (Only apply to certain models)

2. factory defaults

Item	factory default
programming PIN	881 122 (recommends user modified)
Door open mode	card or public pin (1234)
Private PIN	0000
unlock time	3 seconds
Anti-break Alarm	Open
Magnetic Alarm	off
Lock status	off
alarm delay	0 seconds
modify Private PIN	off

RFID Card Access control Operating manual



operating manual

(please read operating manual carefully before use)
Please keep the operating manual carefully

3. Sound and Light show
 - 3.1: Normal working condition
 - 3.1.1. valide command: a short beep sound
 - 3.1.2. Invalid command:a long beep sound
 - 3.2. Programming mode:
 - 3.2.1 Green LED On
 - 3.2.2 valid command: beep beep two sounds
 - 3.2.3 invalid valid: three beeps
4. Cancel command

command have not all been completed, press the [#] key, you can cancel the command
- 5.functions and settings programming
 - 5.1 Enter the programming mode:
press [#]+[6-digit pin](default: 881,122)
 - 5.2 modify the programming PIN:
Press [0] + [new 6-digit pin] + [confirm the nes 6-digit pin]
 - 5.3 Errol card:
press [5] + [3-digit index code] (2 beeps) + [card 1] (beep, 2 beeps) + [card 2] (beep, 2 beeps)+ + [card n] (beep, 2 beeps) + [#] (2 beeps)
 - 5.3.1.3-digit index code : rang from 001----- 999 number can not be repeated. The code is an important way deleted the card after the card is lost, please save the card coded issuer properly
 - 5.3.2. when enrolling multiple cards, every card index code will be calculated in order. For example, card one's indes code is 015, once again, card two's will be 016 and so on
 - 5.3.3 the default private pin for each card is : 0000
- 5.4 Delete Card:
 - 5.4.1 Delete by index Card:
press[7] + [3-digit code 1] (2beeps)+ [3-digit code 2] (2beeps)+ ... + [3-digit code N] (2beeps)+ [#](2beeps) complete the delete cards.
 - 5.4.2. delete by presenting cards: press[7] + [proximity card 1] (beep, 2beeps) + [proximity card 2]

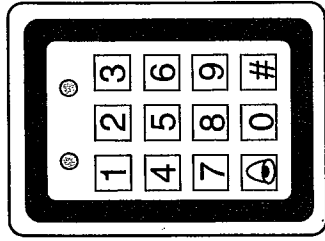
Programming

10. frequently asked questions

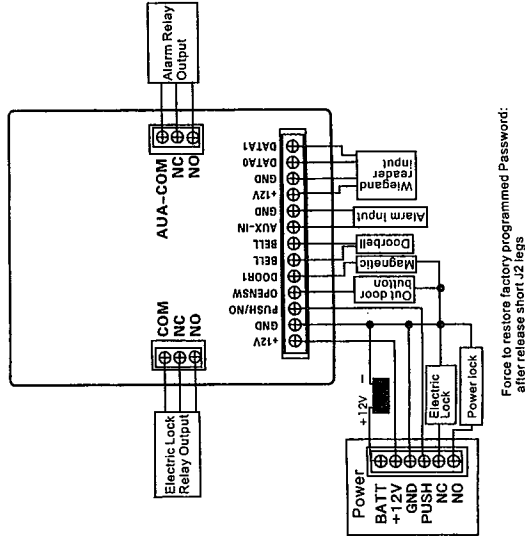
Symptom	Possible wrongs and solutions
After the lock is opened, there are 8 short beeps	The controller needs higher voltage; the power supply should be checked
The card reading distance is short or card cannot be read	1. The controller puts in the metal surface, adjusts the controller position 2. The electric current insufficient supply, adjusting power source
After reading card, there are 3 beeps and lock is not open	1. It's in card +pin mode 2. [#]key is pressed wait for 5 seconds to present the card
The enrolled card cannot open the door	Check if the door sensor is in alarm status. Disable the door sensor alarm
Press[#] + [programming pin] there is long beep and cannot enter the programming mode	Other keys are pressed before pressing the [#]key, Keep on pressing [#] key after on beep. Then enter the programming mode again.
Press[#] key, there is a long beep and cannot enter the programming mode	Other keys are pressed before pressing the [#]key, Keep on pressing[#] key after on beep, then press the [#] key again
press [5], there are 3 beeps	The controller has full card capacity
Press [5] + [index code] 3beeps	This code was already used, must press [5] + [3 codes] to operate
Press[5] + [index code] 2beeps+ [presenting card] 3beeps	This index code is in use, select another index code.
under the programming mode has not operated, the controller exit programming mode	In programming mode, if there is no input in 20 seconds, the controller exits programming mode automatically

Controller positive/wiring diagram

Access Controller positive



Access Controller on the back of Wiring Diagram



Programming

- (beep, 2beeps) + ... + [proximity card N] (beep, 2beeps) + [#] (2beeps) complete the deletion card
- 5.4.3 delete all cards: Please restore the factory default
- 5.4.4 the private pin will be deleted when the card is deleted
- 5.5. exit programming mode: press[#] (2beeps)
- 5.6. set up door open mode
- 5.6.1. card or pin mode: press [1] + [0] (2beeps) (default)
- 5.6.2. Card +private PIN mode: [1] + [1] (2beeps)
- 5.7 pins
- 5.7.1. "Card or pin" for the mode is either: the public pin or private pin (up to 999)
- 5.7.2. disable changing private pin: press [1] + [2] (2beeps) (default)
- 5.7.3. enable changing private pin: press [1] + [3] (2beeps)
- 5.7.4. change private pin:
 - press[#] (beep, 2beeps) + [presenting card] (beep, 2beeps) + [4-digit old pin] (default 0000) (2beeps) + [4-digit new pin] + [confirm the new pin] (2beeps)
- 5.7.5. change public pin: press [3] + [4-digit pin] (default 1234)
- 5.8. change door open time: press [2] + [TT]. TT is the time interval in seconds. For example, if the door open time is 3 seconds, TT=03
- 5.9. Anti-break:
 - 5.9.1. Disable anti-break: press [4] + [0]
 - 5.9.2. Enable anti-break: press [4] + [1]
- 5.10. Door contact sensor:
 - 5.10.1. disable door sensor: press [6] + [0]
 - 5.10.2. enable door sensor: press [6] + [1]
- 5.11. Door sensor alarm:
 - 5.11.1. Disable alarm: press [8] + [0]
 - 5.11.2. enable alarm: press [8] + [1]

Programming

- beep when the door is not closed after normal opening, or the door is not opened through the controller.
- 5.12. Alarm delay time:
 - press [82] + [TT].
 - TT is the time interval in seconds. For example, if the delay time is 3 seconds, then TT=3
 - When door is locked TT seconds, if the door contact sensor is in alarm status, the controller is in alarm mode. This function should be used when the door sensor alarm is on.
- 6. Restore factory default: press [86]. There will be 2 beeps, 3 beeps and 3 beeps after 5 seconds, then the factory defaults are restored.
- 7. User's instruction:
 - 7.1. Card or PIN mode:
 - 7.1.1. The pins should be entered in 2 seconds
 - 7.1.2. press [#] key to cancel pin input
 - 7.2. Card +Private PIN mode
 - 7.2.1. [reading card] + [enter 4-digit pin.] to open
 - 7.2.2. press [#] key to cancel pin input
- 8. Reset programming pin:
 - Short the J2 on controller to reset the programming pin to factory default (for details see wiring diagram explanation)
- 9. warning output: When has one of above the following conditions, has the warning to output
 - 1. reports to the police the AUX_IN electric potential to be low;
 - 2. anti-withdraw has the warning;
 - 3. a magnetism has the warning.